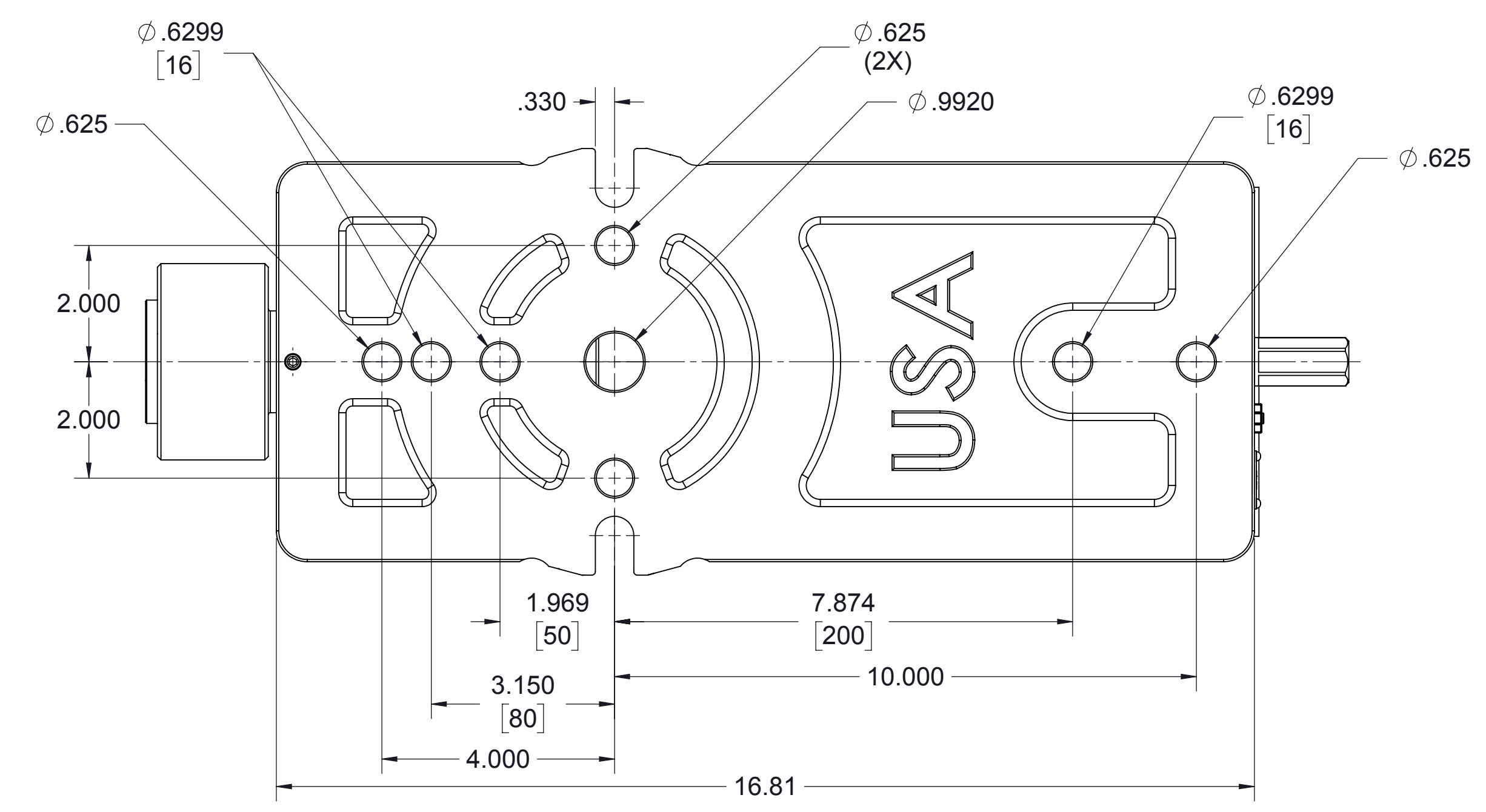
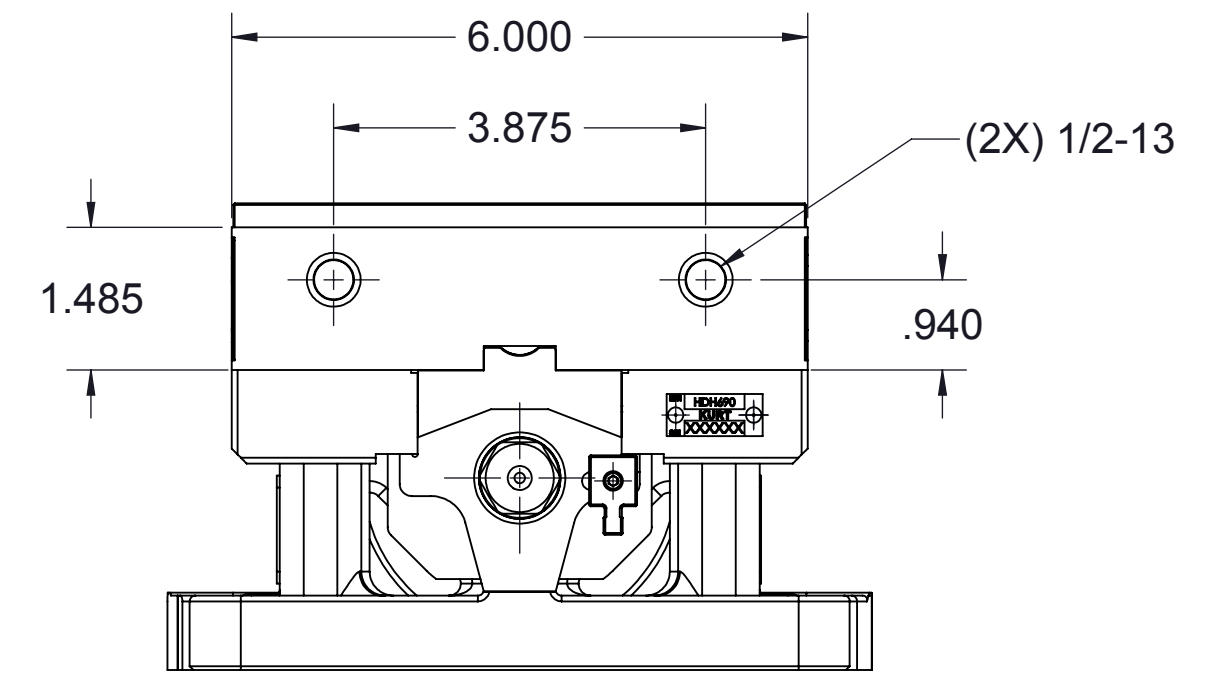
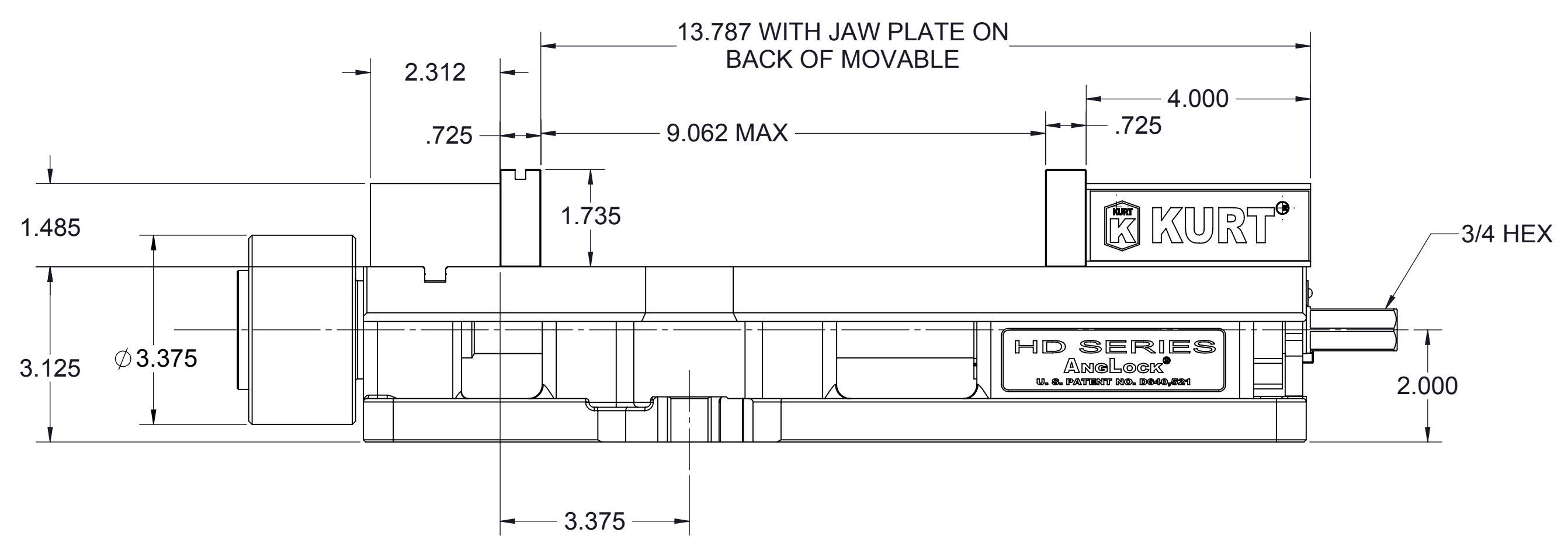
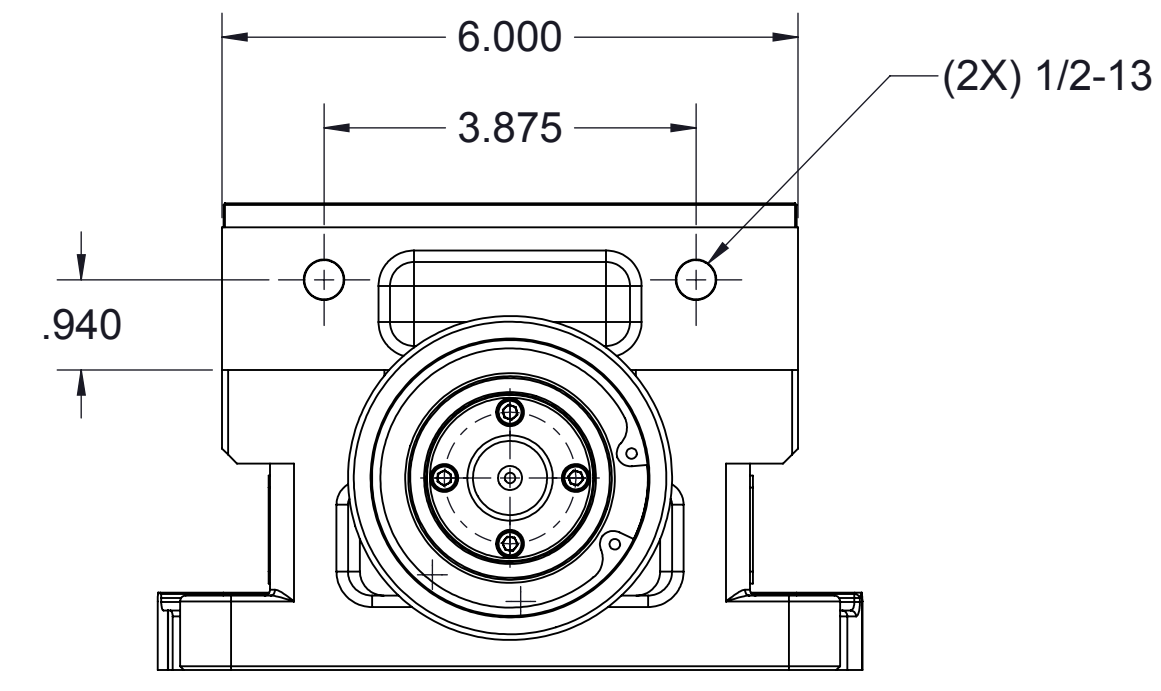
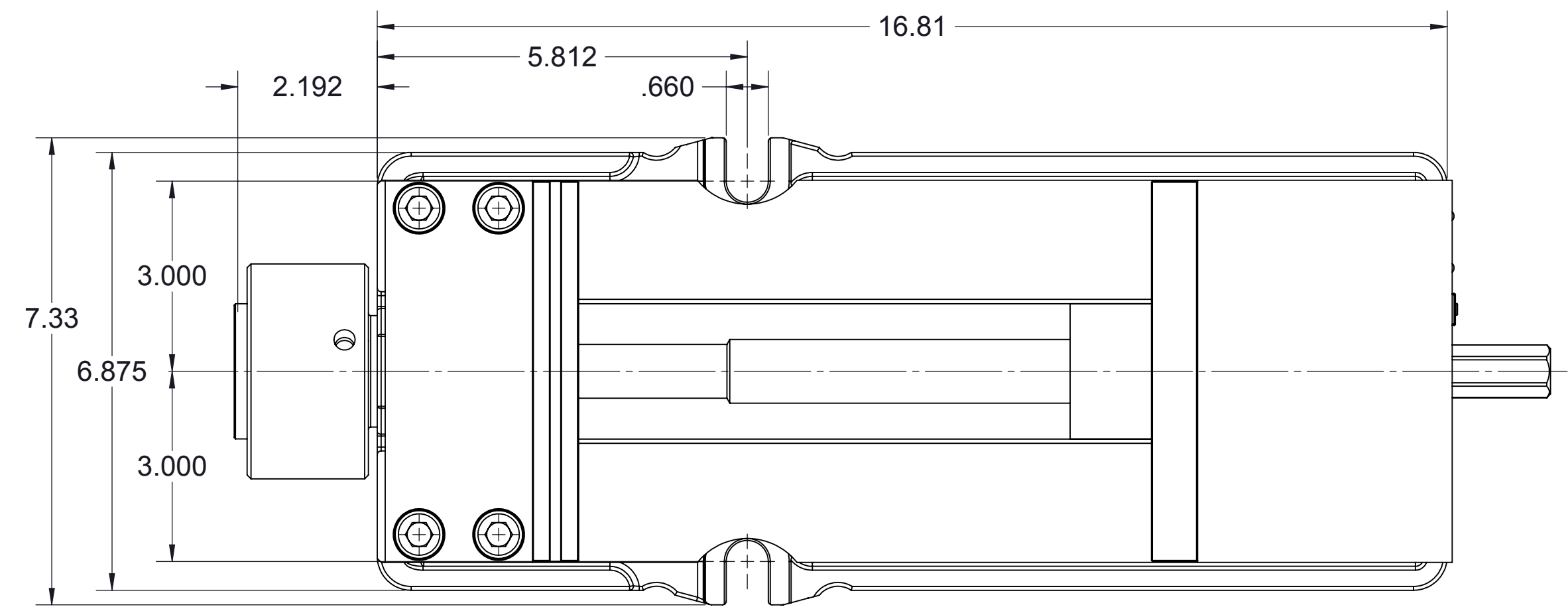


REV	ECO	DESCRIPTION	DATE	BY
A	V3856		3-5-12	DJS



D:\Product Drawings-CAD\Vises\HD-Series Visess\Single Station Vise\HDH690

	W0-	TITLE	HDH690	MODEL OF TOOL
	TOLERANCES UNLESS NOTED INCHES DECIMAL .XX ± .02 ANGLES ± 1°	DESCRIPTION	CATALOG DRAWINGS	REV. NO. D
	DESIGNED	D. SZUMOWSKI	DATE	3-5-12
	REVISION LEVEL	A	CUSTOMER	HDH690
DETAILED	D. SZUMOWSKI	DATE	3-5-12	CUSTOMER PART NO.
CHECKED		DESCRIPTION OR MATERIAL		HDH690
APPROVED				TOL. NO. -
				SCALE 1:2
				SHEET 3 OF 4